



# INTERNET

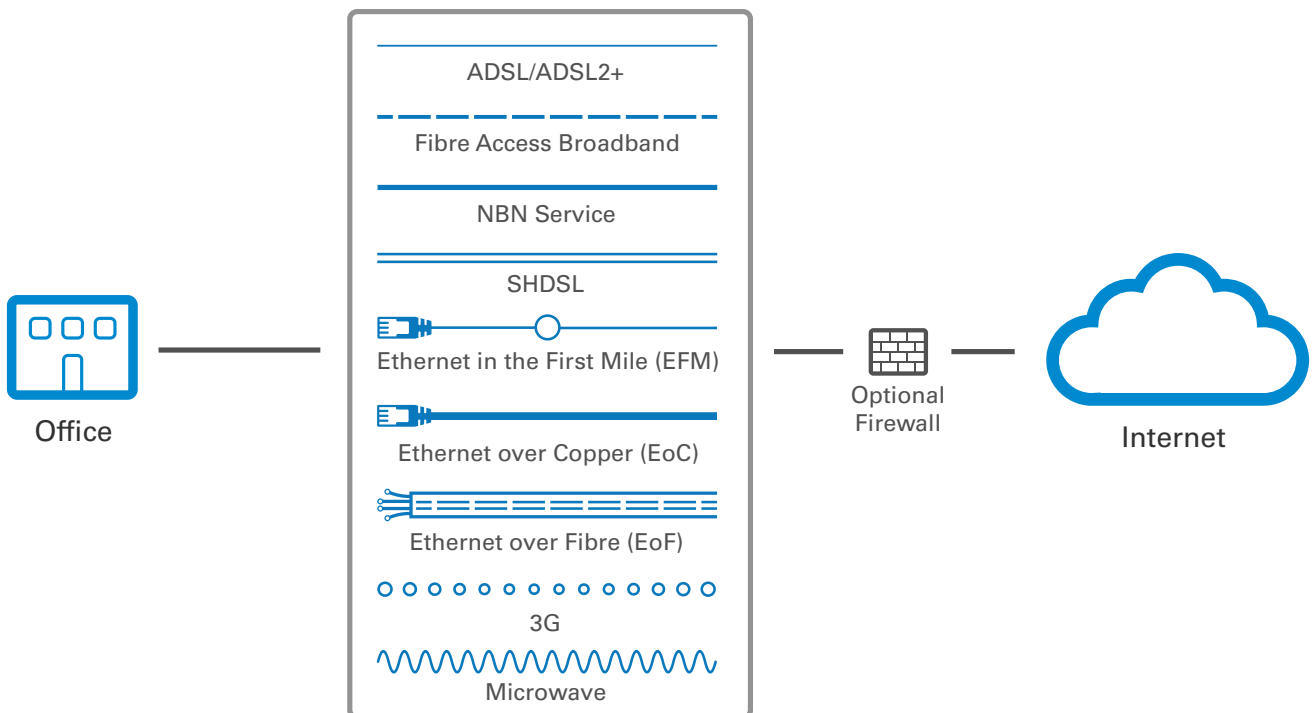
OvertheWire provides high bandwidth, dependable, business grade connectivity to enable emerging applications.

Access to affordable, high speed and reliable connectivity is a prerequisite for consuming cloud based applications and services, facilitating transactions, and utilising IP-based communications. With access speeds ranging from 512Kbps to 10Gbps OTW's Internet services enable video conferencing, SaaS applications and online collaboration for businesses of any size.

We supply internet connections matching the most appropriate technology to location and/or price requirements including:

- ADSL/ADSL2+
- FAB
- NBN
- SHDSL
- Ethernet in the First Mile (EFM)
- Ethernet over Copper (EoC)
- Ethernet over Fibre (EoF)
- 3G
- Microwave

- Technical support from qualified network engineers, based in Australia
- Business grade connectivity
- National network
- Interconnected at all major domestic peering locations
- Diverse international routes



Colocation



Infrastructure as a Service



Data Networks



Voice



Internet



Video



Hosted Services



Managed Services

## OUR COMPANY

Who are we? A straight talking, no-nonsense company that gets things done quickly and without fuss. We're outcomes-focused. We work to understand exactly what you need, then build a solution that works for you, rather than retro-fitting your needs to our offerings.

If you're tired of empty promises and poor service, and you'd prefer to deal with a more agile and responsive company - who's ready to listen and to give you what you actually need, then it might be time to go Over the Wire.

## ORDERING AND QUOTES

Every site has different connectivity options. Our technicians will qualify your site and ensure you are presented with the best value solution for what you require. Just give our friendly sales staff a call and we will take care of the rest.

Once an order is placed we'll keep you up to date with each stage of the process so you'll know exactly when to expect service delivery.

## SERVICE OVERVIEW

### Engineered to Perform

Our system maximises your network performance by reserving bandwidth for your business critical applications. We can assign a priority class to ensure the applications you rely on are at optimum quality and speed. The system can also limit bandwidth for non-business applications, giving you greater control over your network.

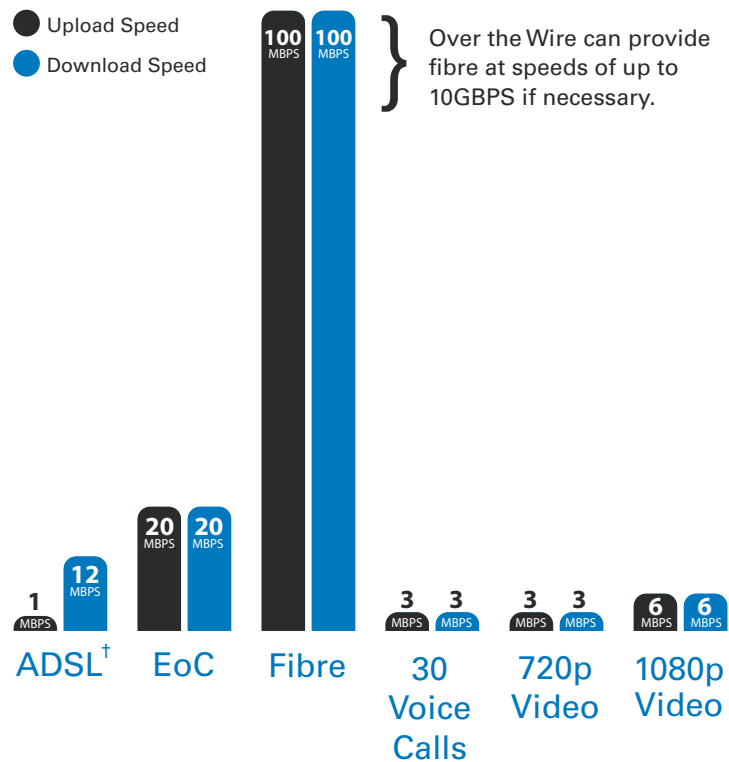
### Reliability

Our network is built to survive. Multiple Points of Presence (PoP's) and robust infrastructure allow us to deliver high quality services across Australia and New Zealand.

## Flexible Plans & Pricing

We are not like the big telcos. It is our belief that our customers shouldn't be slotted into a pre-defined mould or retro-fitted to fit an existing offering. When you describe what you want, we listen so that we can give you what you actually need – not what we can get away with billing you for.

If your requirements grow faster than projected, there is no need to worry. Customers have the freedom to upgrade their service at any time without breaking their contract or incurring transfer fees.\*



\*Applies only where the service can be delivered using the same technology. Changes may require adjustments to the terms of service. Eligibility of individual services should be discussed with your account manager. † Based on average performance figures.

© 2013 Over the Wire Pty Ltd (ACN 115 387 258).

All information within this document accurate as of Jan 2013, and is subject to change without notice. Over the Wire Pty Ltd. is a wholly owned subsidiary of Impirical Pty Ltd (ACN151 872 730). Some services described are provided by other Impirical companies including but not limited to NetSIP Pty Ltd (ACN 131 968 744). v2.0